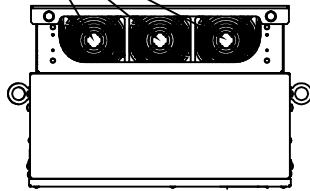
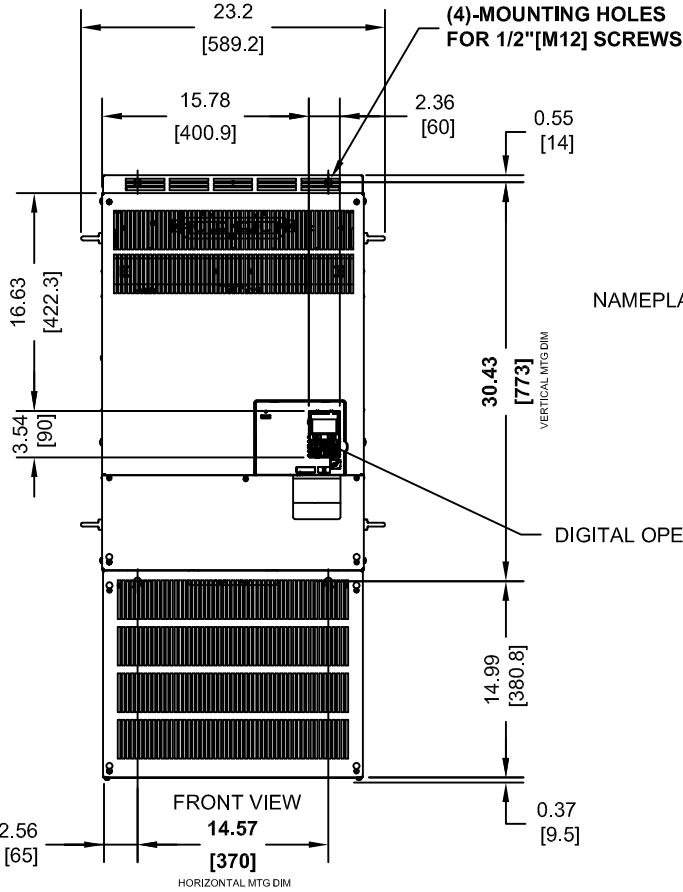
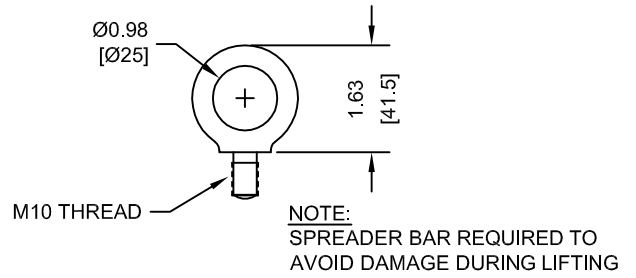


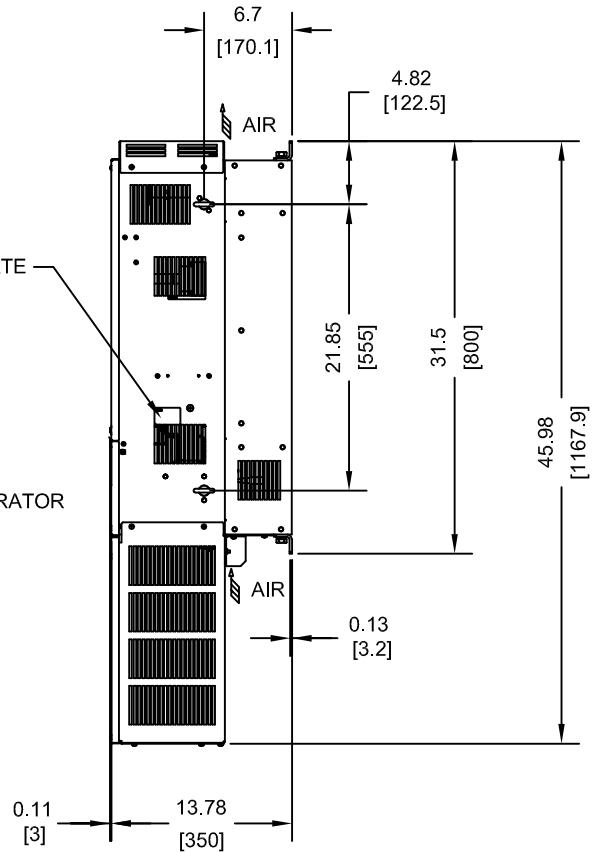
(3) EXTERNAL COOLING FANS



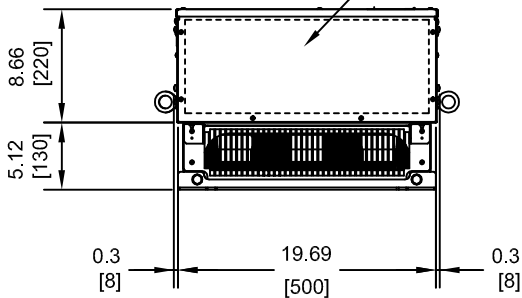
LIFTING AND EYEBOLT DETAILS



NAMEPLATE
DIGITAL OPERATOR



BOTTOM CONDUIT ENTRY



MODEL # CIMR-PU	VOLTAGE THREE-PHASE (VAC)	OUTPUT CURRENT (A)	WEIGHT LBS (Kg)	HEAT LOSS (W) (Fc=2kHz)		
				INT	EXT	TOT
2A0415FXX	200/240	415	238(108)	954	2672	3626

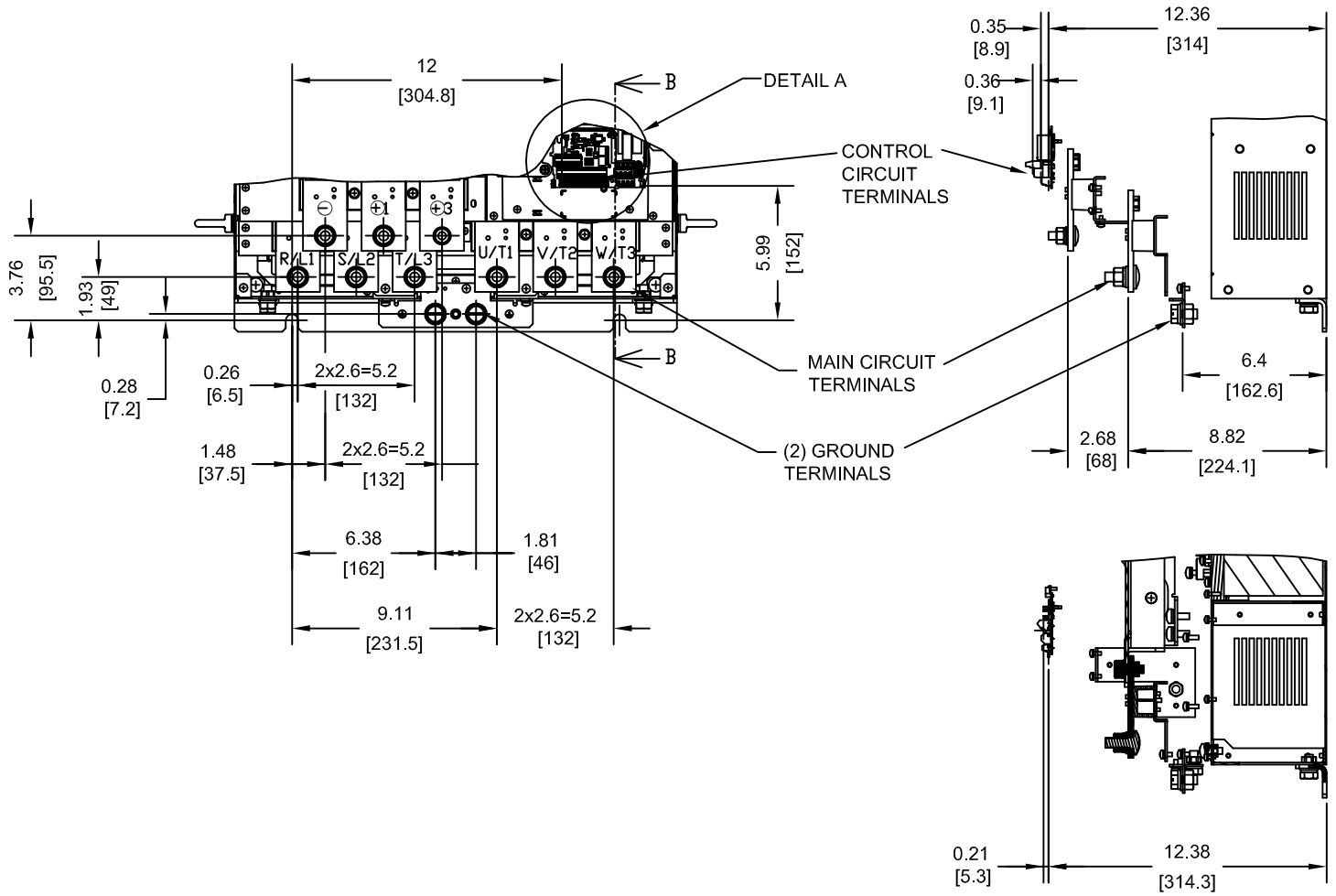
NOTES:
XX DENOTES AA-ZZ

INT=INTERNAL COMPONENTS
EXT=EXTERNAL HEATSINK
TOT=TOTAL

FOR ADDITIONAL DETAILS AND SPECIFICATIONS, CONSULT MANUAL

TOLERANCES / REFERENCES:		<p>THIS DOCUMENT AND INFORMATION CONTAINED IN IT ARE CONFIDENTIAL, AND CANNOT BE COPIED OR DISCLOSED IN WHOLE OR IN PART WITHOUT THE EXPRESS WRITTEN CONSENT OF YASKAWA AMERICA, INC.</p>	DRAWN: J. MATTAS DATE: 12-9-11	TITLE: P1000 DIMENSION DRAWING FRAME SIZE 12C NEMA TYPE 1 ENCLOSURE 2A0415
			CHECKED: J. PIOTROWSKI DATE: 1-5-12	REVISION R00
			TECH: J. BORJA DATE: 1-9-12	PAGE 1 of 3
UNITS: IN [mm]	SCALE: 1:15		APPROVED: J. CAIRO DATE: 1-10-12	DRAWING #: DD.P1K.FR12C.N1

TERMINAL AND WIRING DETAILS (SCALE 1:8)

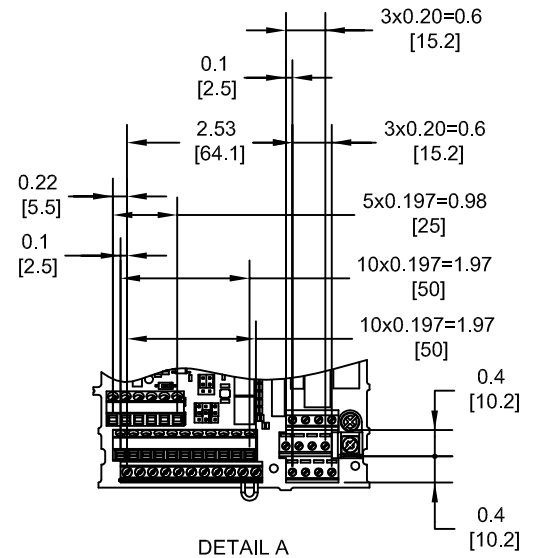


SECTION B-B

TERMINAL AND WIRE SPECIFICATIONS FOR MAIN CIRCUIT AND GROUND

MODEL # CIMR-PU	TERMINAL SYMBOL	TERMINAL SCREW	CLAMPING TORQUE lb.in.(N.m.)
2A0415	R/L1, S/L2, T/L3	M12	283.2 TO 354.0 (32 TO 40)
	U/T1, V/T2, W/T3		
	⊖, ⊕1	M10	159.3 TO 203.6 (18 TO 23)
	⊕3		
	⊕		
		M12	283.2 TO 354.0 (32 TO 40)

NOTE: REFER TO APPLICABLE CODES FOR PROPER WIRE TYPE AND SIZE

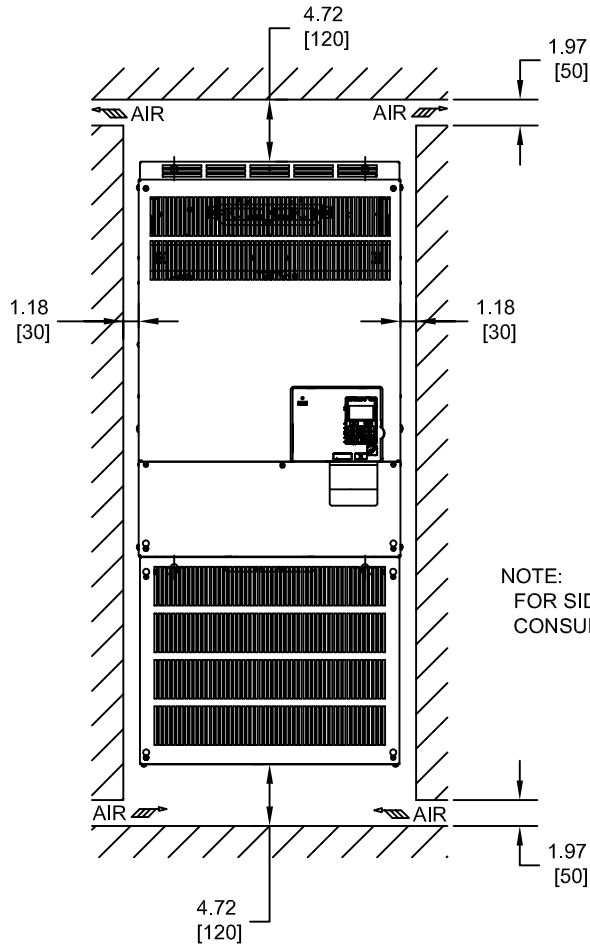


DETAIL A

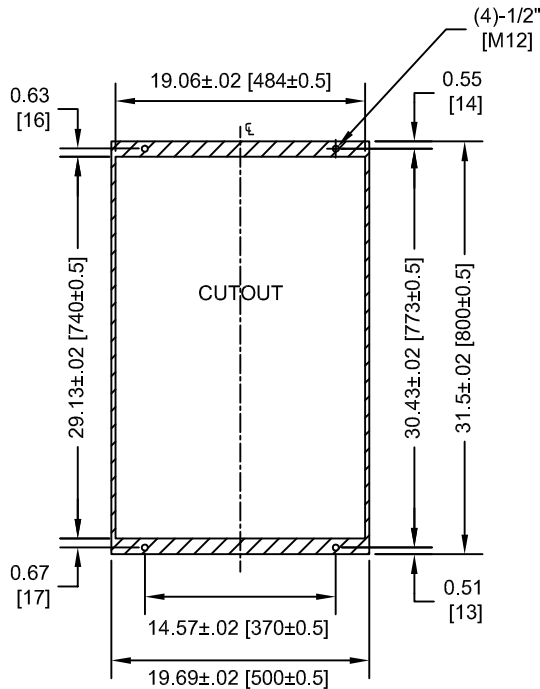
FOR ADDITIONAL DETAILS AND SPECIFICATIONS, CONSULT MANUAL

TOLERANCES / REFERENCES:			DRAWN: J. MATTAS DATE 12-9-11	TITLE: P1000 DIMENSION DRAWING FRAME SIZE 12C NEMA TYPE 1 ENCLOSURE 2A0415
UNITS: IN [mm]			CHECKED: J. PIOTROWSKI DATE 1-5-12	REVISION R00
SCALE: BY VIEW		THIS DOCUMENT AND INFORMATION CONTAINED IN IT ARE CONFIDENTIAL, AND CANNOT BE COPIED OR DISCLOSED IN WHOLE OR IN PART WITHOUT THE EXPRESS WRITTEN CONSENT OF YASKAWA AMERICA, INC.	TECH: J. BORJA DATE 1-9-12	DRAWING #: DD.P1K.FR12C.N1
		APPROVED: J. CAIRO DATE 1-10-12	ORIGINAL DESIGN: -	

MINIMUM INSTALLATION CLEARANCES (SCALE 1:15)



PANEL CUTOUT FOR EXTERNAL HEATSINK MOUNTING CONFIGURATION (SCALE 1:15)



NOTE:
EXPOSED HEATSINK DEPTH
D=5.12" MINUS PANEL THICKNESS

FOR ADDITIONAL DETAILS AND SPECIFICATIONS, CONSULT MANUAL

TOLERANCES / REFERENCES:			DRAWN: J. MATTAS DATE: 12-9-11	TITLE: P1000 DIMENSION DRAWING FRAME SIZE 12C NEMA TYPE 1 ENCLOSURE 2A0415	
UNITS: IN [mm]			CHECKED: J. PIOTROWSKI DATE: 1-5-12	TECH: J. BORJA DATE: 1-9-12	REVISION R00
SCALE: BY VIEW		THIS DOCUMENT AND INFORMATION CONTAINED IN IT ARE CONFIDENTIAL, AND CANNOT BE COPIED OR DISCLOSED IN WHOLE OR IN PART WITHOUT THE EXPRESS WRITTEN CONSENT OF YASKAWA AMERICA, INC.		APPROVED: J. CAIRO DATE: 1-10-12	DRAWING #: DD.P1K.FR12C.N1
		ORIGINAL DESIGN: -	DATE: -		